

All about electrostatics, our know-how is yours!

The Next Generation ION BLOWER



SBL-15S

You can eliminate static from short to mid range. Small sized and light weight can be easily used in various circumstance and installed in various way.



Key Features

- The safety is secured with low voltage (DC24V)
- Automatic ion balance control
- Convenient tip cleaning and replacing by using sliding type of back cover
- LED alarm when ion balance has problem
- Simple tip cleaning function
- Fan speed control (2Steps)
- With RMS, You can control up to 128 devices (Option : SBL-12A)

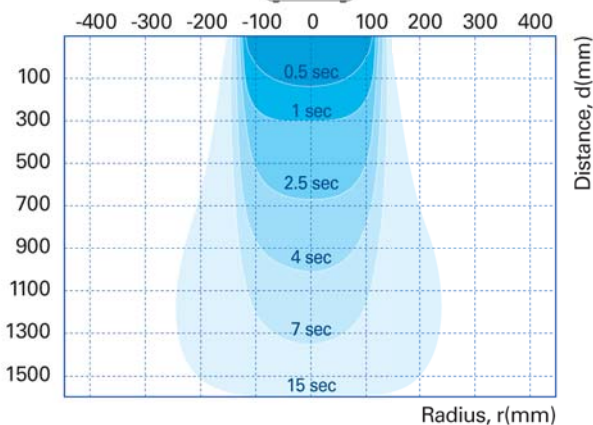
Specifications

Parameter	Description / Value	Remarks
Input Power	DC 24V	Adaptor (AC110~220V, 50/60Hz, DC 24V, 2.5A)
Power Consumption	35W	
Current Consumption	159mA	AC 220V
Ion-Generation Method	Steady-State DC	Piezo
Air Flow	4.84m ³ /min	
Noise Level	62dB	
Ion Balance	within ±5V	600mm, Maximum Air flow
Operation Circumstance	0°C~+50°C(32°F~122°F), 35%~85%RH	
Ozone(O3) Concentration	≤0.05ppm	
Main Body Material	EGI	
Electrode Material	Standard: Tungsten Option: Titanium	
Mounting Method	Desk Top	
Weight	2.8kg	
Function	Tip Cleaning, 2Steps Fan Speed, Ion Balance Display	
Alarm Function	Ion Unbalance Alarm	
Interface	Remote On/Off, Run State, RS485, Alarm(Ion Unbalance), Tip Cleaning	
Option	RMS(Real Monitoring System)	
Warranty	1 year	

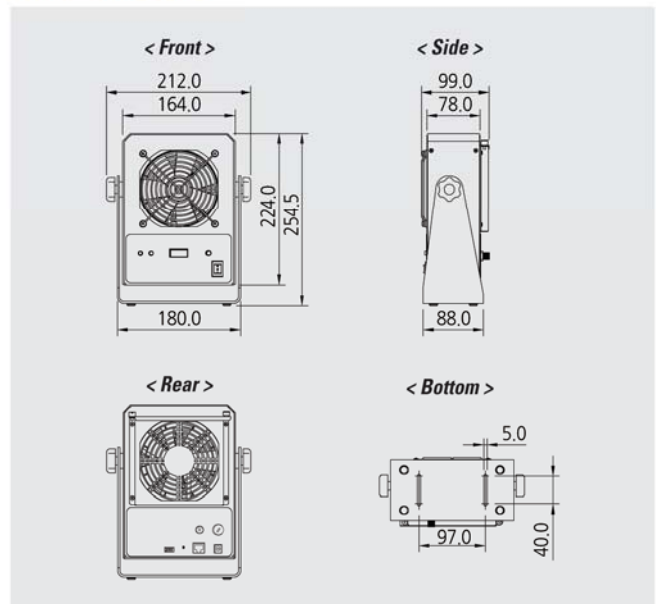
* The appearance and specification of the product may be changed without prior notice for the improvement of the product.

Decay Time Characteristics

- **Model** : SBL-15S
- **Decay Time** : ±1,000V to ±100V
- **Charge Plate Capacitance** : 20pF(150 X 150 mm)
- **Temperature & Humidity** : 24°C, 50%RH



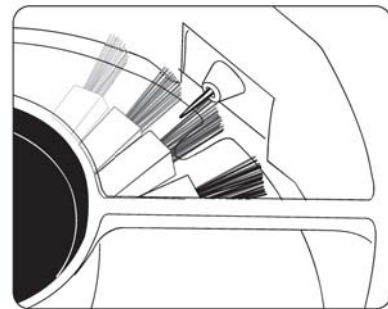
Dimensions



Maintenance

- ▶ **Tip cleaning**
- **Auto Cleaning button**

SBL-15S don't need to clean the needle excepting replacement because auto cleaning system was adopted. When the "Auto Cleaning" button on the front is depressed, SBL-15S will clean the discharge needle automatically for 5 seconds after Fan's operation is stopped.



- **Manual tip cleaning**

Clean a needle in person in case of its serious contamination.

1. Be sure to power off before cleaning the ionizer.
2. Please open the front cover of a SBL-15S.
3. Soak the cotton swab with alcohol. (do not use acetone)
4. Put the swab on the discharge needle and wipe it turning the swab right and left.
(take precautions not to apply severe force to the discharge needle.)
5. Replace the damaged discharge needle.
6. After the cleaning, let the alcohol applied to the needle surface evaporate completely and then operate the SBL-15S.
7. Please record the cleaning process as a reference in the file.