

OZONE SWITCH

Model OS-6

OS-6 Features

The OS-6 is an industrial grade ozone controller and monitor. The OS-6 design is optimized for accuracy and ease of installation, setup and operation.

- Front panel digital LCD displays ozone level.
- Rugged, splash resistant NEMA 4X enclosure for industrial environments.
- Easily accessible connection terminals and controls allow the unit to be setup after it is mounted.
- LED indicators display when ozone exceeds the 0.1 ppm OSHA limit and a variety of other important ozone control parameters.
- Set points for ozone generator control relays are digitally controlled with numeric set points. This makes precise ozone control easy to set up, even when ozone is not present.
- Ozone generator failure mode detection warns when the connected ozone generator is not maintaining the desired ozone set points. This option can be disabled.
- “Monitor Mode” can be enabled on the OS-6 panel. This mode disables the ozone generator controller and generator failure mode status indicators while maintaining ozone measurement and limit warning indicators.
- Analog outputs (4-20 mA and 0-2 VDC) are compatible with PLCs and other process controllers.
- Digital serial output (RS-232) allows for convenient connection to a computer. Data output: ozone (ppb), temperature (°C), and relative humidity (%).



OS-6 Indicator Lights and Display

PPM Ozone: Auto ranging digital display in ppm (parts per million).

Above MAX Limit: Illuminates when ozone reading is above the MAX set point.

Data From Sensor: Illuminates and blinks at 1-second intervals when powered on and receiving data from the sensor.

Below MIN Limit: Illuminates when ozone reading is below the MIN set point.

Unable to Control Ozone: Illuminates when the ozone generator (TB4) is not maintaining the desired set points. A relay (TB6) engages with this indicator to provide remote alarm capability. This option may be disabled by setting the FAIL time to 0999. Refer to “Set Point and Alarm Condition Settings” for more details. This option is also disabled when the instrument is in Monitor Mode. Refer to “External Connections – TB7: Generator Enable” for more details.

Above 0.1 PPM Safety Limit: Illuminates when the measured ozone exceeds 0.1 ppm (OSHA 8-hour time-weighted average safety limit). A relay (TB5) engages with this indicator to provide remote alarm capability.

Generator Control: Illuminates when the ozone generator relay (TB4) is engaged, indicating the ozone generator is on.

Wiring Compartment: Contains buttons for adjusting set point and alarm conditions as well as wiring terminals for sensor module connections, OS-6 power input, analog outputs, relay outputs, and Monitor Mode selector.

Display Compartment: Contains jumper pins for selecting the analog output full-scale range.



External Connections

The wiring terminals for the sensor module connections, OS-6 power, analog outputs, relay outputs, and Monitor Mode selector are located in the Wiring Compartment. For access, disconnect the OS-6 from power and remove the two screws and cover. The connection board will resemble this diagram.

TB1: 12-24 VDC POWER: Power input and earth grounding for the OS-6

TB2: ANALOG OUTPUT: 4-20 mA and 0-2 VDC to external control equipment. Refer to “Analog Range Selection” for details. Default range is 0-20 ppm. **NOTE:** the 4-20 mA output is a DRIVER rather than a current-sink type output.

TB3: RS-232 OUTPUT: Serial data output. Refer to “Data Connection” for details.

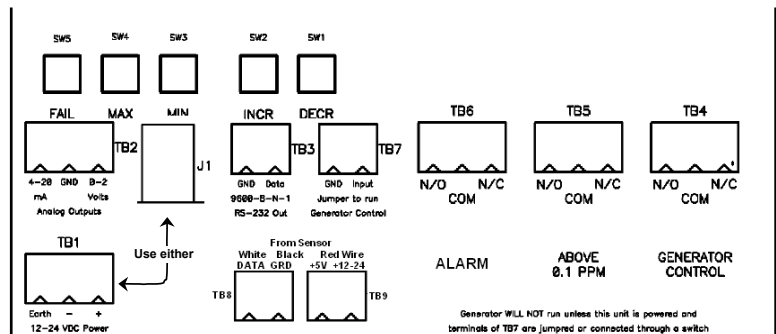
TB4: GENERATOR CONTROL: Relay contacts with user adjustable control limits for operating an ozone generator. Refer to “Set Point and Alarm Condition Settings” for details.

TB5: ABOVE 0.1 PPM: Relay contacts tied to OSHA human safety limit (for remote indicator/alarm).

TB6: UNABLE TO CONTROL OZONE: Relay contacts tied to Unable to Control Ozone error condition (for remote indicator/alarm).

TB7: GENERATOR ENABLE: A jumper is installed at the factory to enable Generator Control (TB4). If the jumper is removed and these terminals are not connected, an ozone generator connected to TB4 will never run. Remove the jumper or replace it with a switch to disable the ozone generator when performing maintenance. Also remove the jumper to operate the OS-6 in “Monitor Mode”. In this state, when the jumper is removed, the Generator Control relay (TB4) will be disabled, as well as the “Generator Control” indicator and the “Unable to Control Ozone” indicator.

TB8: SENSOR DATA AND GROUND: Connect data and ground (black) conductors from SM-module, TB1 to OS-6, TB8. Refer to Appendix A for an illustration and more details.



TB9: SENSOR POWER: Refer to Appendix A for an illustration and more details. Connect power conductor (red) from either:

+5 V out to SM-module TB1 +5 V

OR

+12-24 V out to SM-module TB2 +12-24 V

WARNING: Do not connect '+12-24 V Out' terminal on the OS-6 to the SM-module TB1 '+5 V'. This will damage the SM-module and void the warranty.

Power Connection

Disconnect power before opening the case to access the OS-6. Use only one of the following two methods to power the OS-6:

1. AC Adapter (included): 12-24 VDC, 300 mA (minimum), barrel connector. Refer to Tech Note P-101 at www.ecosensors.com/support for additional AC adapter specifications.
2. TB1: 12-24 VDC, 300 mA (minimum), wired connection (16-26 gauge)

Initial Operation & Warm-Up

All standard connections between the OS-6 and the SM-module are made at the factory. Once power is connected to the OS-6 using one of the methods described above, the green power/data LED will illuminate and then blink at a 1-second interval as data is received from the SM-module. The LCD will display digits.

Power the OS-6 and connected SM-module for 1-hour before response testing. Prior to on-site process integration, operate on power for 24 hours. We recommend testing the instrument for positive response with an ozone generator when the instrument is received and again at the site where the instrument is installed.

Set Point and Alarm Condition Settings

Five push-buttons are mounted on the circuit board behind the wiring compartment cover. Remove the cover (two screws) and locate the buttons in the upper-left corner. From left to right, they are: FAIL, MAX, MIN, INCR and DECR.

FAIL: Time (in minutes) that the ozone level can remain above MAX set point or below MIN set point before the "Unable to Control Ozone" indicator and relay engage. To disable the "Unable to Control Ozone" indicator and relay (TB6), set FAIL to 0999 (available on instruments shipped after 2012-10-15, call us for details).

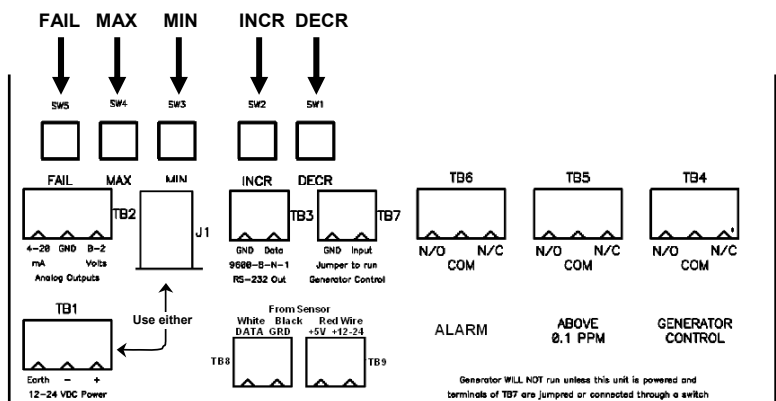
MAX: Maximum ozone set point at which the generator is turned off.

MIN: Minimum ozone set point at which the generator is turned on.

INCR: Increase set point value.

DECR: Decrease set point value.

Change a set point by pressing FAIL, MAX, or MIN. The current value of that set point will appear on the display. Press INCR or DECR to adjust the value. MIN will not adjust higher than MAX.



Data Connection

Data from the OS-6 and connected SM-module can be received by a computer via RS-232 serial cable. Basic communication parameters are listed in the table to the right. For more details please consult the **RS-232 Communication Manual**, available at www.ecosensors.com/support.

Serial data is updated from the SM-module approximately once per second. An example serial data output stream is given below for 1 ppm ozone, 23 °C, and 33% relative humidity:

Ozone (ppb), Temperature (°C), and Relative Humidity (%):

1000, 23, 33

Serial Communication Parameters

Parameter	Value
Speed (baud)	9600
Data bits	8
Stop bits	1
Parity	None
Flow Control	None

Analog Output Full Scale Selection

The full-scale range for the 0-2 V and 4-20 mA analog outputs may be selected by adding or removing up to three push-on jumpers on header J4, located on the back of the display circuit board. Access this area by removing four screws from the display bezel.

Changing the analog output full-scale range will not change the OS-6 display, which will always read in the within range 00.00 to 99.99 ppm. The actual measurement range of the OS-6 display is determined by the attached SM-module. Refer to the specification sheet of the attached SM-module to determine the measurement range.

The OS-6 is shipped from the factory with the Analog Output Full Scale Range set to match the installed SM-module. For further details, refer to the specification sheet of the attached SM-module.

J4 Jumper Positions

Analog Output Full-Scale Range (ppm)

A	B	C	
OFF	OFF	OFF	0-2
ON	OFF	OFF	0-5
OFF	ON	OFF	0-10
ON	ON	OFF	0-20
OFF	OFF	ON	0-50
ON	OFF	ON	0-100
OFF	ON	ON	0-200
ON	ON	ON	0-500

Specifications

Enclosure:	Wall mounted polycarbonate enclosure resists water spray and splash (NEMA 4X).
Size:	H = 6.3"/160mm, W = 6.5"/166mm, D = 4.6"/118mm.
Wiring:	Conduit or cable gland knock-outs along bottom of enclosure.
Power in:	12-24 VDC.
Power out:	+5 or +12-24 VDC to sensor.
Data in:	RS-232 serial data from remote sensor module (SM-module).
Data out:	RS-232, 9600 baud, 8N1 format.
Analog out:	0-2 V and 4-20 mA, internal jumpers select full scale ppm range.
Control in:	Generator enable (contact closure).
Control out:	Relays: 12 A @ 30 VDC (resistive load), 12 A @ 250 VAC (resistive load).
Relay functions:	Ozone generator control, >100 ppb safety limit, failure to control ozone.
User controls (internal):	MAX set point, MIN set point, FAIL time, increase, decrease.
Numeric display:	4-digit, 0.5" (12 mm), auto-ranging, backlight.
LED indicators:	Sensor, above MAX, below MIN, >100 ppb, O ₃ generator control, failure.

Notes and Precautions

- Disconnect power before connecting or disconnecting wires in the case.
- After connecting power, allow 1 hour for warm-up before testing. Allow 24 hours for warm-up before continued use.
- Keep the instrument dry.
- Do not drop the instrument or subject it to continuous vibration.
- Do not store or use the instrument in areas with high levels of dust.
- Do not clean the instrument with cleaning chemicals or solvents. If necessary, wipe clean with a damp cloth.
- Do not operate the instrument in environments with combustible gases and materials.
- Call a qualified electrician if you have any questions regarding electrical wiring codes.

Service and Maintenance

- **Tampering with the unit or attempting repairs will void the warranty.** Repairs should only be performed by Eco Sensors or an Eco Sensors authorized service representative.
- Instruments with problems during the warranty period should be returned as a system to the factory or authorized service representative for diagnosis and repair.
- We recommend checking the calibration monthly and changing the user replaceable sensor annually. It is generally more cost effective to replace sensors than to recalibrate them.
- Always remove power from the OS-6 and SM-module before opening the case. Follow the Wiring Diagram in Appendix A.

Warranty

This product is warranted against defects in materials and workmanship for one year following the date of purchase by the original owner. This warranty does not include damage to the product that results from misuse, accident, dropping, modifications or alterations, and it does not apply if the instructions in this manual are not followed, or if the unit is otherwise used outside its intended specifications.

If a defect develops during the warranty period, Eco Sensors, in its sole discretion, will repair the instrument or replace it with a new or reconditioned model of equivalent quality. In the event of replacement with a new or reconditioned instrument, the replacement unit will continue the warranty of the original unit.

If the product should become defective during the warranty period, please return it through your distributor, or call Eco Sensors at (800) 472-6626 or e-mail at sales@ecosensors.com to receive return instructions and a Return Materials Authorization (RMA) number.

Except as provided herein, Eco Sensors makes no warranties, express or implied, including warranties of merchantability and fitness for a particular purpose. Eco Sensors shall not be liable for loss of use of this instrument or other incidental or consequential damages, expenses or economic loss, or claims for such damage or economic loss.

RECORD YOUR SERIAL NUMBER HERE

KEEP THIS MANUAL AND WARRANTY FOR YOUR RECORDS.

Eco Sensors is a registered trademark of Eco Sensors, Division of KWJ Engineering, Inc.

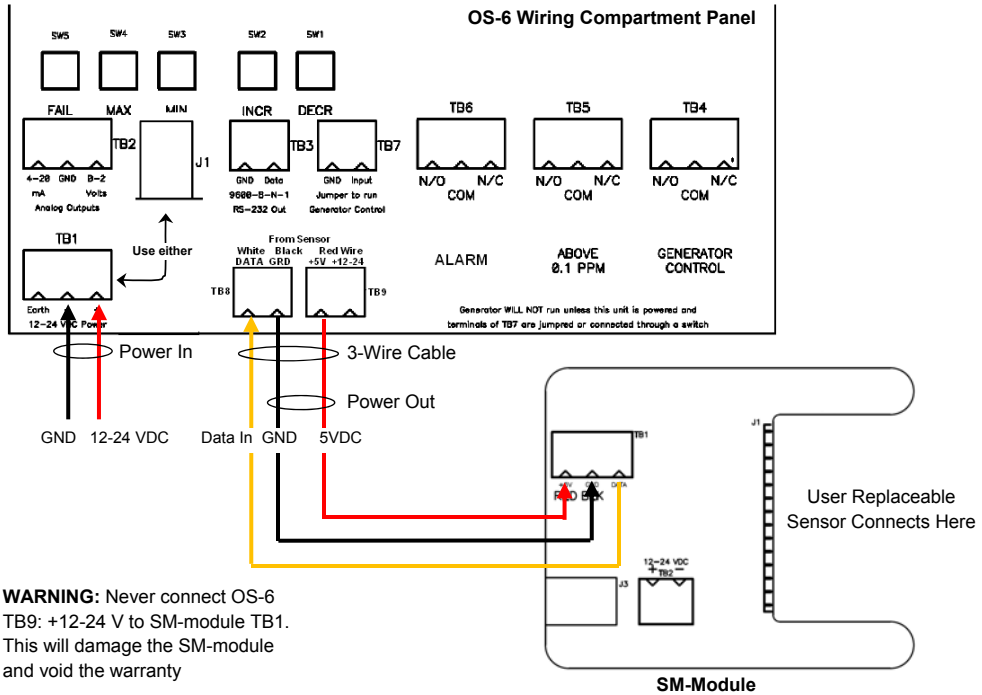
© Eco Sensors, Division of KWJ Engineering, Inc. 2013.

For brochures, application and tech notes, and other useful information, visit our extensive website at www.ecosensors.com. E-mail us at sales@ecosensors.com.

Appendix A

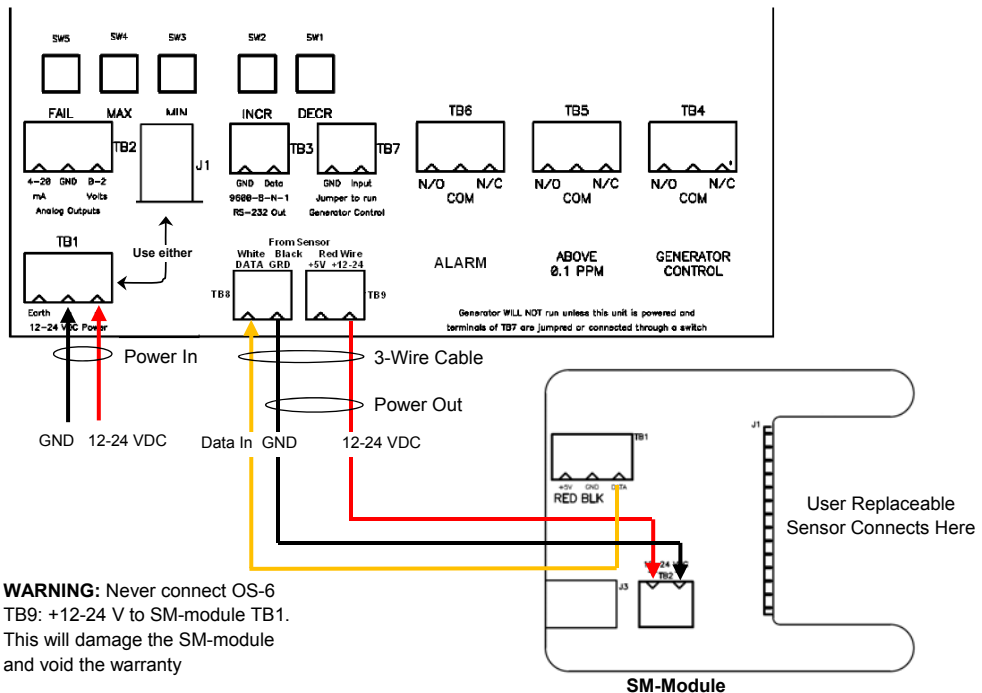
SM-Module Wiring Illustration #1

(Typical)

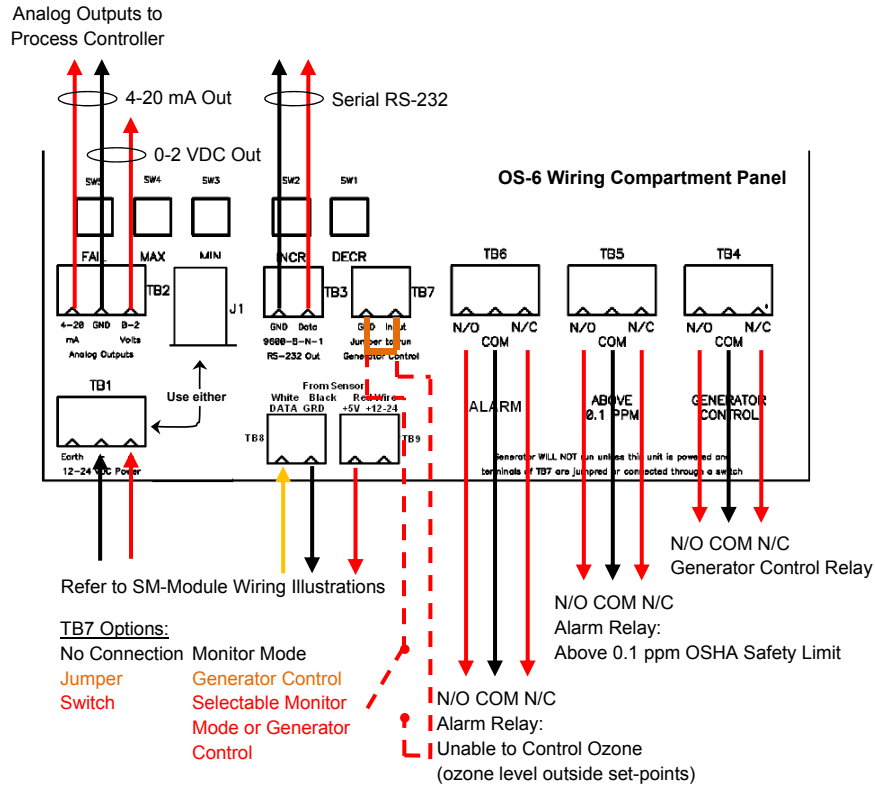


SM-Module Wiring Illustration #2

(Alternate)



OS-6 Wiring Options Illustration



Appendix B

OS-6 Application Diagram

(for reference only)

